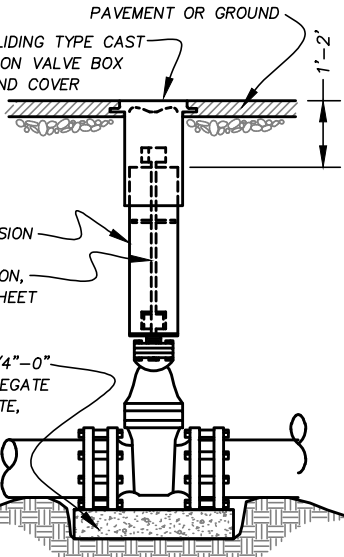


CIRCULAR CONCRETE COLLAR, 6" THICK QUICKSET BAGGED CONCRETE MIX, COMMERCIAL GRADE, 3,000 PSI. EXTEND 6" AROUND VALVE BOX IN ALL DIRECTIONS.

COMPACTED 3/4" MINUS TYP.
6" MODEL 910 VALVE BOX
8" ASTM 3034 PVC PIPE VALVE BOX RISER PER STD. DWG. W1.16

VALVE BOX SECTION

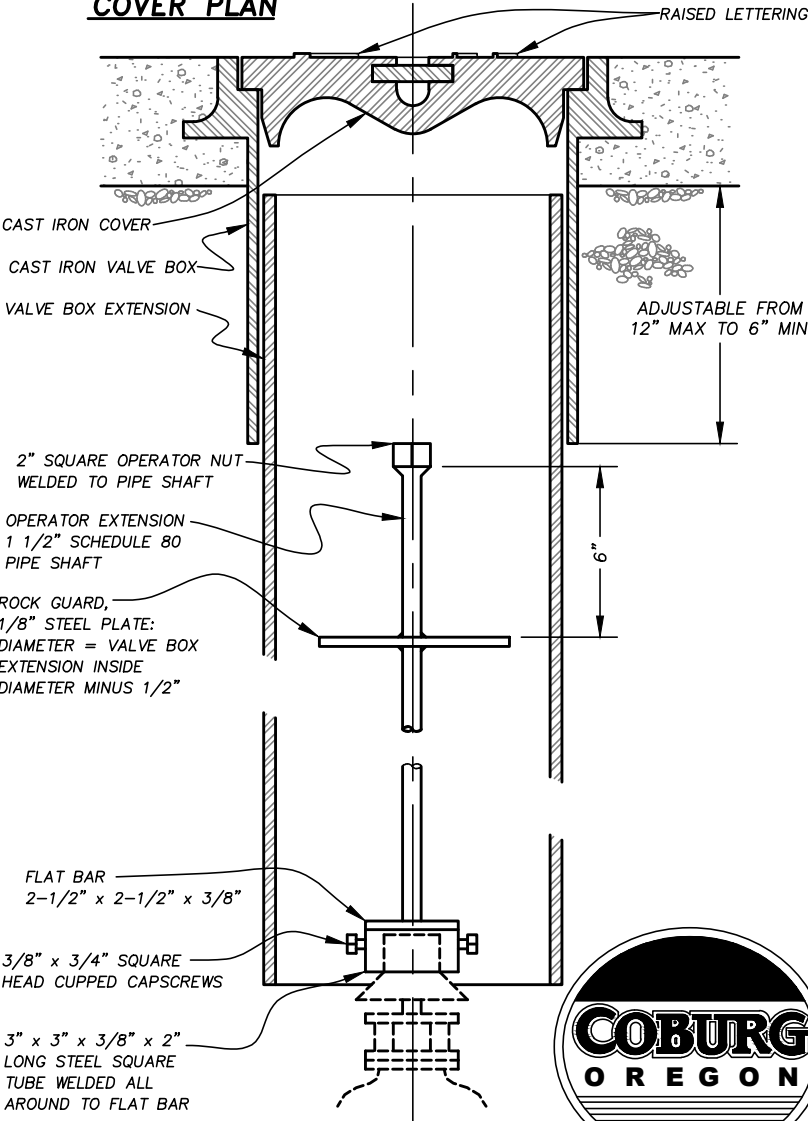
COVER PLAN



VALVE BOX ASSEMBLY DETAIL

NOTES:

1. DO NOT REST VALVE BOX ON OPERATING ASSEMBLY.
2. OPERATOR EXTENSION REQUIRED WHEN VALVE NUT IS DEEPER THAN 4 FEET FROM FINISH GRADE.
3. CENTER VALVE BOX ON AXIS OF OPERATOR NUT.
4. VALVES 12" AND SMALLER SHALL BE PROVIDED WITH CLASS B BASE ON UNDISTURBED GROUND. VALVES GREATER THAN 12" SHALL BE INSTALLED ON PRECAST CONCRETE PIER BLOCK.
5. VALVE BOX EXTENSION SHALL BE PVC (ASTM D3034).



VALVE BOX EXTENSION SECTION

**CITY OF COBURG
STANDARD DRAWING**

**VALVE BOX AND
OPERATOR
EXTENSION ASSEMBLY**

DATE:
FEBRUARY 2022

DRAWING NO.
WA-002

