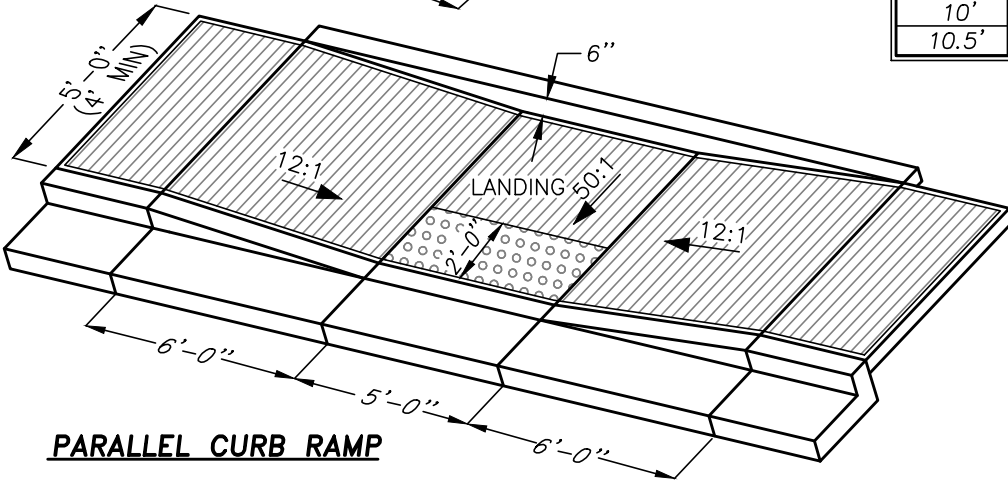
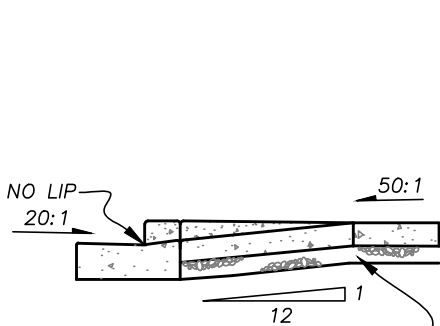


**COMBINED CURB RAMP**

W	L	H
5'	4.36'	7/16"
5.5'	4.05'	13/32"
6'	3.73'	3/8"
6.5'	3.41'	11/32"
7'	3.10'	5/16"
7.5'	2.78'	9/32"
8'	2.46'	1/4"
8.5'	2.15'	7/32"
9'	1.83'	3/16"
9.5'	1.51'	5/32"
10'	1.20'	1/8"
10.5'	0.78'	3/32"

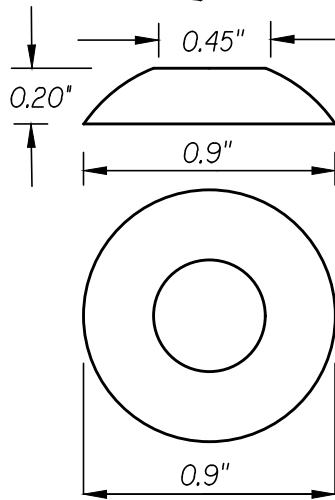


**PARALLEL CURB RAMP**

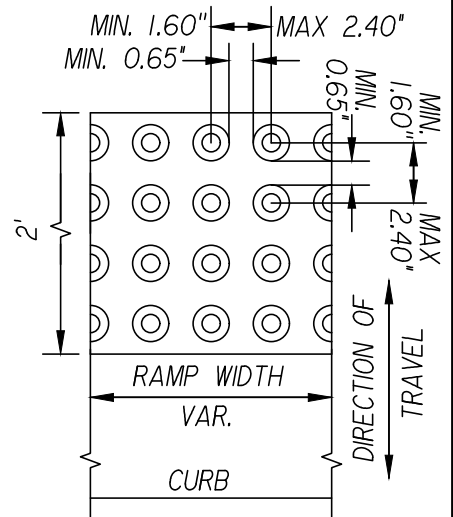


MIN. 2" OF 3/4"-0  
CRUSHED AGGREGATE BASE  
OR CLEAN SELECT NATIVE  
SAND AS APPROVED.

**TYPICAL SECTION THROUGH RAMP**



**TRUNCATED DOME  
DETAIL**



**DETECTABLE WARNING PATTERN  
DETAIL**

**NOTES:**

1. THE "AMERICANS WITH DISABILITIES ACT" (ADA) REQUIRES THAT ACCESS RAMPS TO SIDEWALKS CONFORM TO ALL FEDERAL GUIDELINES. EXCEPTIONS TO THE REQUIREMENTS IN THIS DRAWING MUST BE APPROVED BY THE ENGINEER AND MUST COMPLY WITH ADA.
2. NO ABOVE GROUND UTILITIES ARE PERMITTED WITHIN RAMP AREA.
3. LANDINGS SHALL BE PLACED AT THE TOPS OF RAMPS. LANDING SLOPE SHALL NOT EXCEED 50:1 IN ANY DIRECTION. THE SLOPE OF THE SURFACING AT THE BOTTOM OF THE RAMPS SHALL NOT EXCEED 20:1 FOR A DISTANCE OF 2' (SEE TYPICAL SECTION ABOVE).
4. MINIMUM LANDING DIMENSIONS SHALL BE 4'x4'.
5. YELLOW PLASTIC TRUNCATED DOME DETECTABLE WARNING MAT AT CURB LINE.
6. CONCRETE STRENGTH SHALL BE 3300 PSI MIN.
7. ALL SLOPES AND GRADES TO COMPLY WITH CURRENT ADA REQUIREMENTS.



**CITY OF COBURG  
STANDARD DRAWING**

**SIDEWALK  
ACCESS RAMP**

DATE:  
**MARCH 2022**

DRAWING NO.  
**ST-105**